

Performer SZ090S4VC

Specifications

Brand	Performer
Type	SZ090S4VC
Refrigerant	Freon
Refrigerant type	R407 C or other types
kW at +10°C/+40°C	27,1
kW at 0°C/+40°C	22,4
kW at -5°C/+40°C	18,3
kW at -10°C/+40°C	14,8
Remarks	# // y.o.b. 2011
Sizes	350x300x500 mm (LxWxH)
Stock	2



Description

Used Performer SZ090S4VC

Used Performer SZ090S4VC freon scroll compressor. This unit has a cooling capacity of 27,1 kW at +10°C/+40°C.
*Why choose for HOSBV? Were not only the largest used refrigeration specialist in Europe, but also, we deliver all equipment including an extensive test, warranty and industrial cleaning.
*Optional we can also perform a new paint job and arrange the logistics.



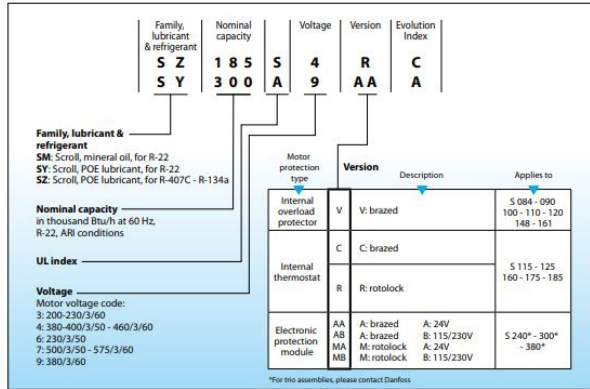


COMPRESSOR MODEL DESIGNATION

Performer® scroll compressors are available both as single compressors and as tandem units. The example below presents single compressor nomenclature.

For tandem assemblies, please refer to the Performer® Parallel Application Guidelines documentation.

Nomenclature



Connection details

Model	SM/SZ 084 - 090 - 100 110 - 120 - 148 - 161	SM/SZ 115 - 125 - 160 - 175 - 185	SY/SZ 240 - 300	SY/SZ 380		
Version	V	R C	MA MB	AA AB	AA AB	
Suction and discharge connection	brazed	rotolock	brazed	rotolock	brazed	brazed
Oil sight glass	threaded	threaded	threaded	threaded	threaded	threaded
Oil equalization connection	3/8" flare	3/8" flare	3/8" flare	1/2" flare	1/2" flare	1/2" flare
Oil drain connection	-	1/4" NPT	1/4" NPT	1/4" NPT	1/4" NPT	1/4" NPT
Low pressure gauge port (schraeder)	1/4" flare	1/4" flare	1/4" flare	1/4" flare	1/4" flare	1/4" flare